

NTSC WV-CW334S (24 V AC or 12 V DC) **PAL** WV-CW334S (24 V AC or 12 V DC)
 WV-CW364S (24 V AC or 12 V DC) WV-CW364S (24 V AC or 12 V DC)



WV-CW364



WV-CW334



Minimum illumination (Color):
0.6 lx



Minimum illumination (B/W):
0.05 lx (WV-CW364)

Automatic switching
Color/Black&White

IP66
standard



(WV-CW364) (WV-CW334)



Vandal Resistant IP66 Day/Night Fixed Dome Camera with 1/3 type CCD

Key Features

- High resolution: 540 TV lines
- High sensitivity with True Day/Night function (WV-CW364)
 - : 0.6 lx (Color)
 - : 0.05 lx (B/W)
- High sensitivity with Simple Day/Night function (WV-CW334)
 - : 0.6 lx (Color)
 - : 0.4 lx (B/W)
- ABS (Adaptive Black Stretch) enhances visibility of dark area without degrading image quality in bright area.
- Vandal resistant mechanism for high reliability
- IP66 rated water and dust resistant. Compatible with IEC60529 measurement standard.
- Various adjustment features including BLC (Back Light Compensation), ATW (Auto Tracing White Balance) and ALC (Automatic Light Control)
- 2 White Balance modes are selectable with Dip Switch: ATW (Auto Tracing White Balance) / AWC (Automatic White Balance Control)
- 2.8 ~ 10 mm 3.6x Varifocal Auto Iris lens
- Internal/Multiplexed Vertical Drive (VD2) synchronization
- Monitor output for easier lens adjustment upon installation
- 3-way hinge (horizontal, vertical and swivel rotation) for easy installation

- Various mounting options: Flush mount, Surface mount and Embedded ceiling mount
- Optional heater maintains operating temperature -30 °C ~ +50 °C (-22 °F ~ 122 °F)

Standard Accessories

- | | |
|--|---|
| • Operating Instructions 1 pc. | • Fixing Screws for Mounting Base (incl. 1 spare screw)5 pcs. |
| The following parts are used during installation procedures. | |
| • Base Cover..... 1 pc. | • Camera Attachment 1 pc. |
| • Mounting Base..... 1 pc. | • Bit for Tamperproof Screw..... 1 pc. |
| | • Butyl Tape..... 1 pc. |

Optional Accessories

Heater Unit WV-CW5H 	Ceiling Mount Bracket WV-Q169 	Smoke Dome Cover WV-CW4S 
---	--	---

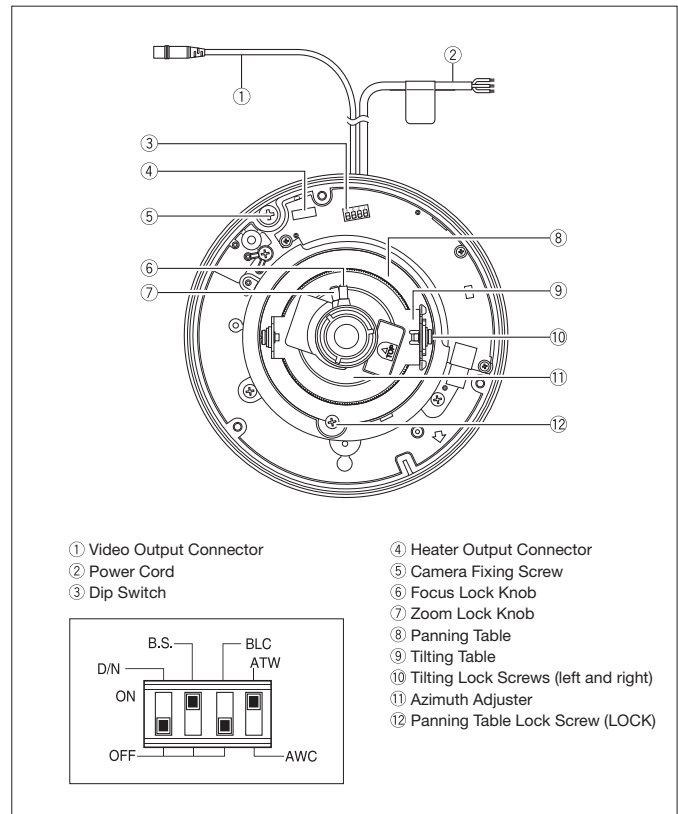
Specifications

TV System	NTSC	PAL
Camera	1/3 type interline transfer CCD	
Image Sensor	768 (H) x 494 (V)	752 (H) x 582 (V)
Effective Pixels	2:1 interlace scan	
Scanning Mode	4.9 mm (H) x 3.7 mm (V)	
Scanning Area	Horizontal: 15.734 kHz	Horizontal: 15.625 kHz
Scanning Frequency	Vertical: 59.94 Hz	Vertical: 50 Hz
Scanning Line	525 lines	
Horizontal Resolution	540 TV lines (at center)	
Minimum Illumination	WV-CW364S: Color: 0.6 lx, B/W: 0.05 lx, F1.3 Wide WV-CW334S: Color: 0.6 lx, B/W: 0.4 lx, F1.3 Wide	
Signal-to-Noise Ratio	50 dB (equivalent to AGC Off, Weight on)	
White Balance	ATW / AWC	
Back Light Compensation	ON / OFF	
Adaptive Black Stretch	ON / OFF	
Black and White Mode	WV-CW364S: ON (AUTO) / OFF (IR filter moving) WV-CW334S: ON (AUTO) / OFF (No IR filter moving)	
Focus Adjustment	Manual	
Synchronization	Internal (INT), Multiplexed Vertical Drive (VD2)	
Lens	Focal Length 2.8 mm ~ 10.0 mm, 3.6x varifocal	
Angular Field of View	WV-CW364S: H: 100.5° (Wide) ~ 27.39° (Tele) V: 73.51° (Wide) ~ 20.45° (Tele) WV-CW334S: H: 100.18° (Wide) ~ 27.39° (Tele) V: 73.33° (Wide) ~ 20.45° (Tele)	
Maximum Aperture Ratio	1:1.3 (Wide) ~ 1:3.1 (Tele)	
Focusing Range	1.2 m (3.9 ft.) ~ ∞	
Pan and Tilt	Panning Range +180° ~ -140°	
Tilting Range	±75°	
Input/Output	Video Output 1.0 V [p-p] / 75 Ω, NTSC composite, BNC connector	
Monitor Output	1.0 V [p-p] / 75 Ω / NTSC composite signal / ø3.5 mm RCA jack	
General	Safety/EMC Standard UL (UL60065), FCC (Part15, ClassA) C-UL (CAN/CSA C22.2 No.60065), DOC (ICES003 ClassA)	
Power Source and Power Consumption	24 V AC 60 Hz, 2.9 W, 13.1 W *1 12 V DC, 250 mA *2	
Ambient Operating Temperature	-10 °C ~ +50 °C (14°F to 122°F)	
Ambient Operating Humidity	90 % or less (without condensation)	
Water and Dust Resistance	IP66, IEC60529 measuring standard compatible *Applicable only when the installation and waterproof process are done properly.	
Impact Protection	IEC 60068-2-75 test Eh, 50J	
Dimensions	ø164 mm x 146 mm (H), 191.5 mm (Base Cover) (ø6-7/16" x 5-3/4" (H) x 7-9/16" (W))(Base Cover)	
Weight (approx.)	Main Body: 1.05 kg (2.31 lbs), including camera attachment 100 g (0.22 lbs), Mounting Base: 350 g (0.78 lbs), Ceiling Mount Bracket: 700 g (1.55 lbs)	

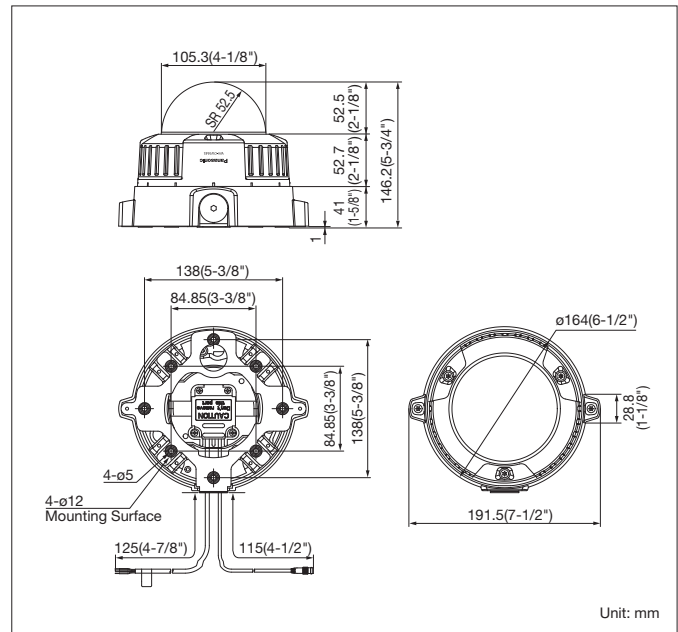
*1 With optional Heater Unit WV-CW5H

*2 Optional Heater Unit WV-CW5H cannot be used under 12 V DC operation.

Part Names and Functions



Appearance



Important

- Safety Precaution: carefully read the operating instructions and installation manual before using this product.

DISTRIBUTED BY:

- All TV pictures are simulated.
- Masses and dimensions are approximate.
- Specifications are subject to change without notice.
- These products may be subject to export control regulations.
- All product pictures are PAL models.

Panasonic®

<http://panasonic.net/security/>

Printed in Japan (2A-071A)