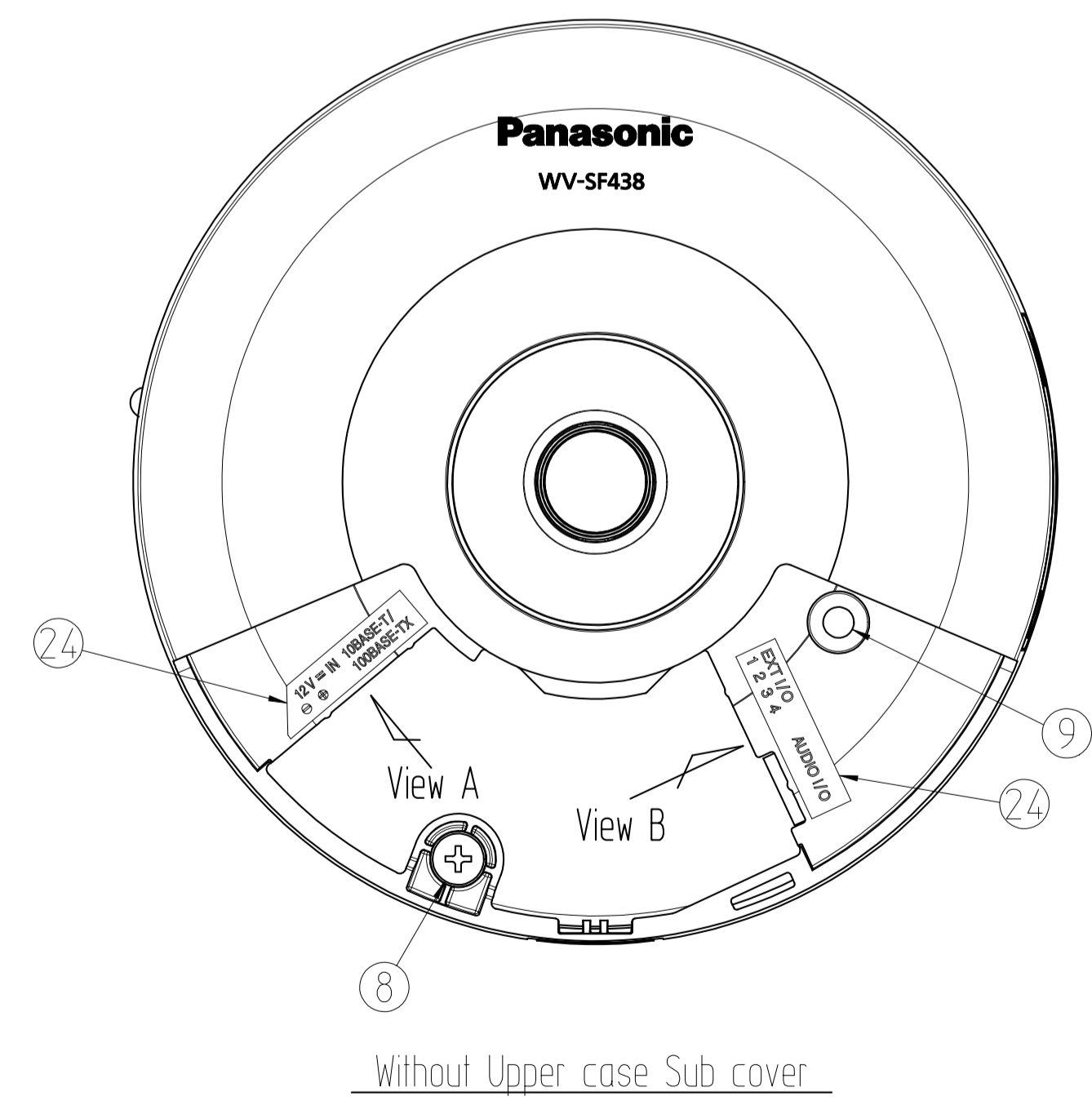
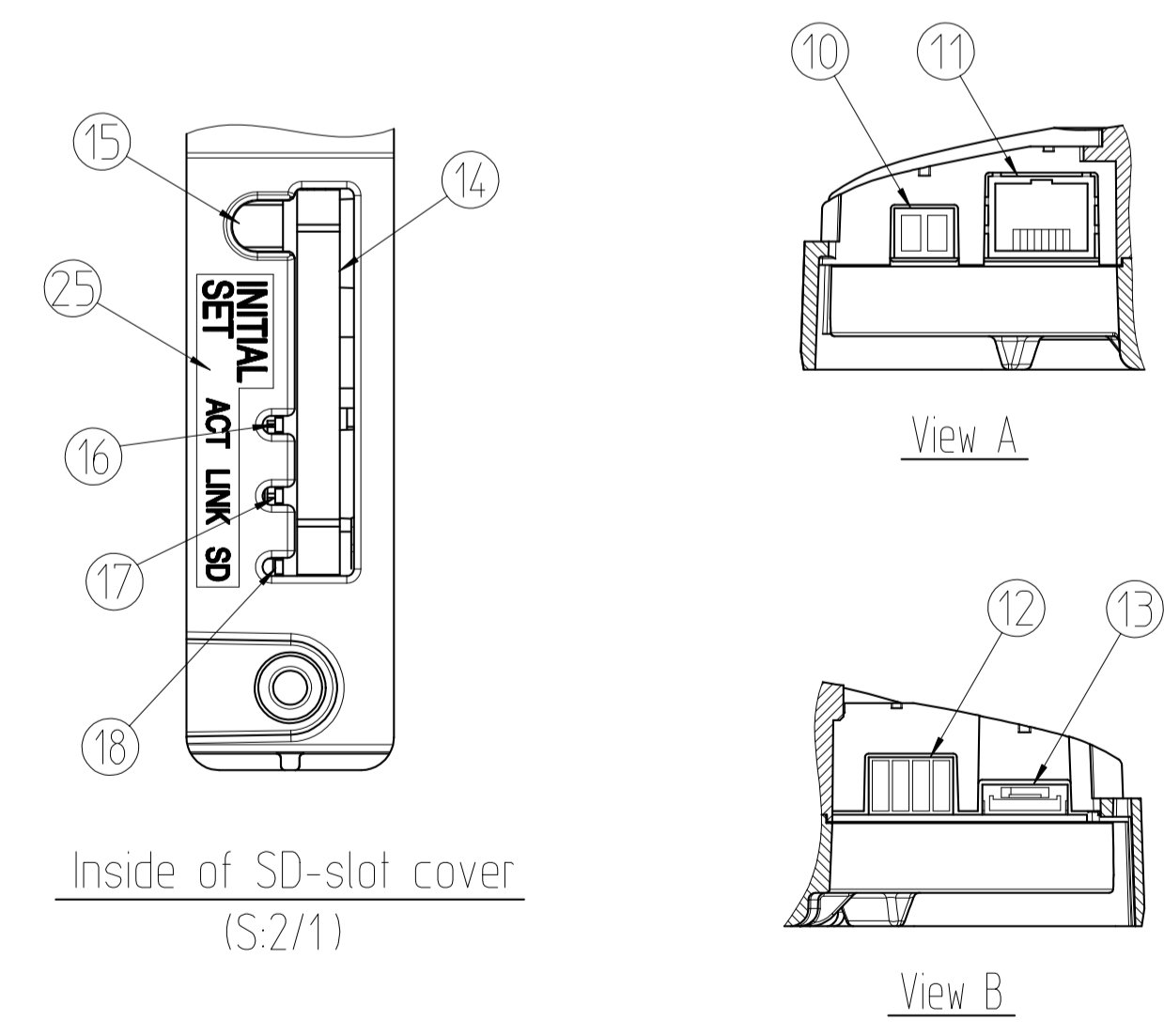
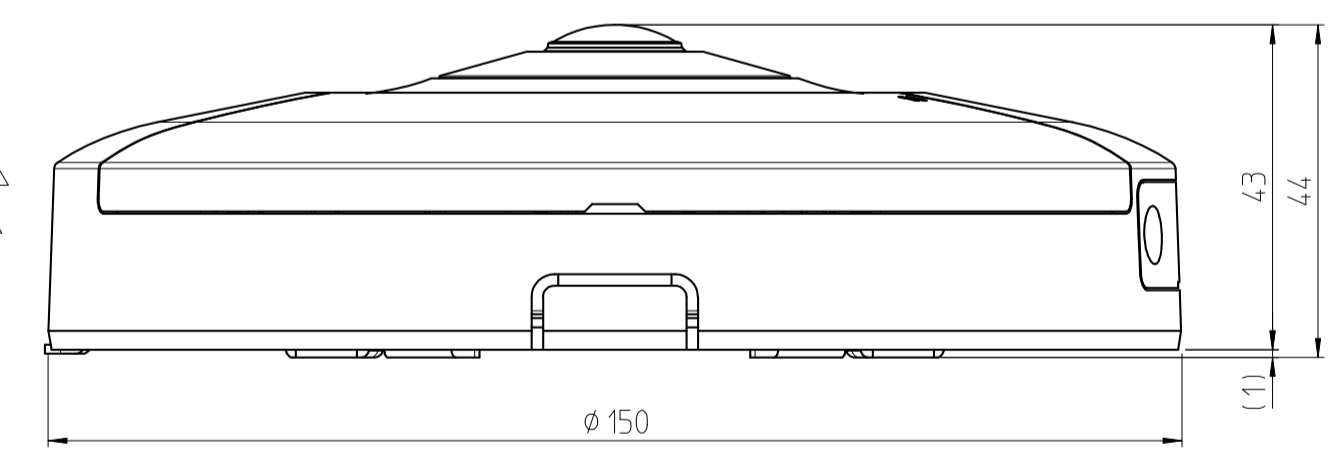
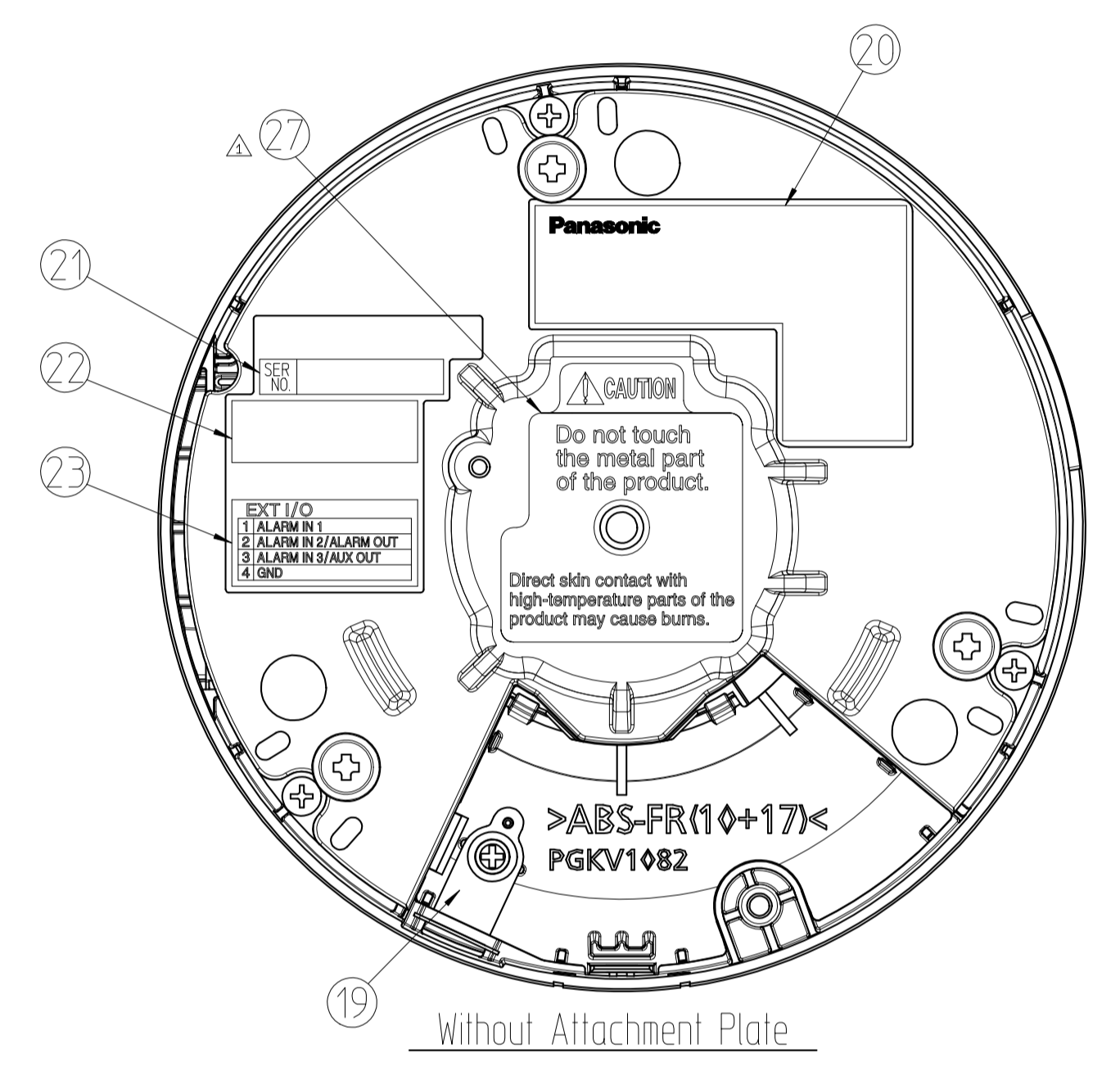
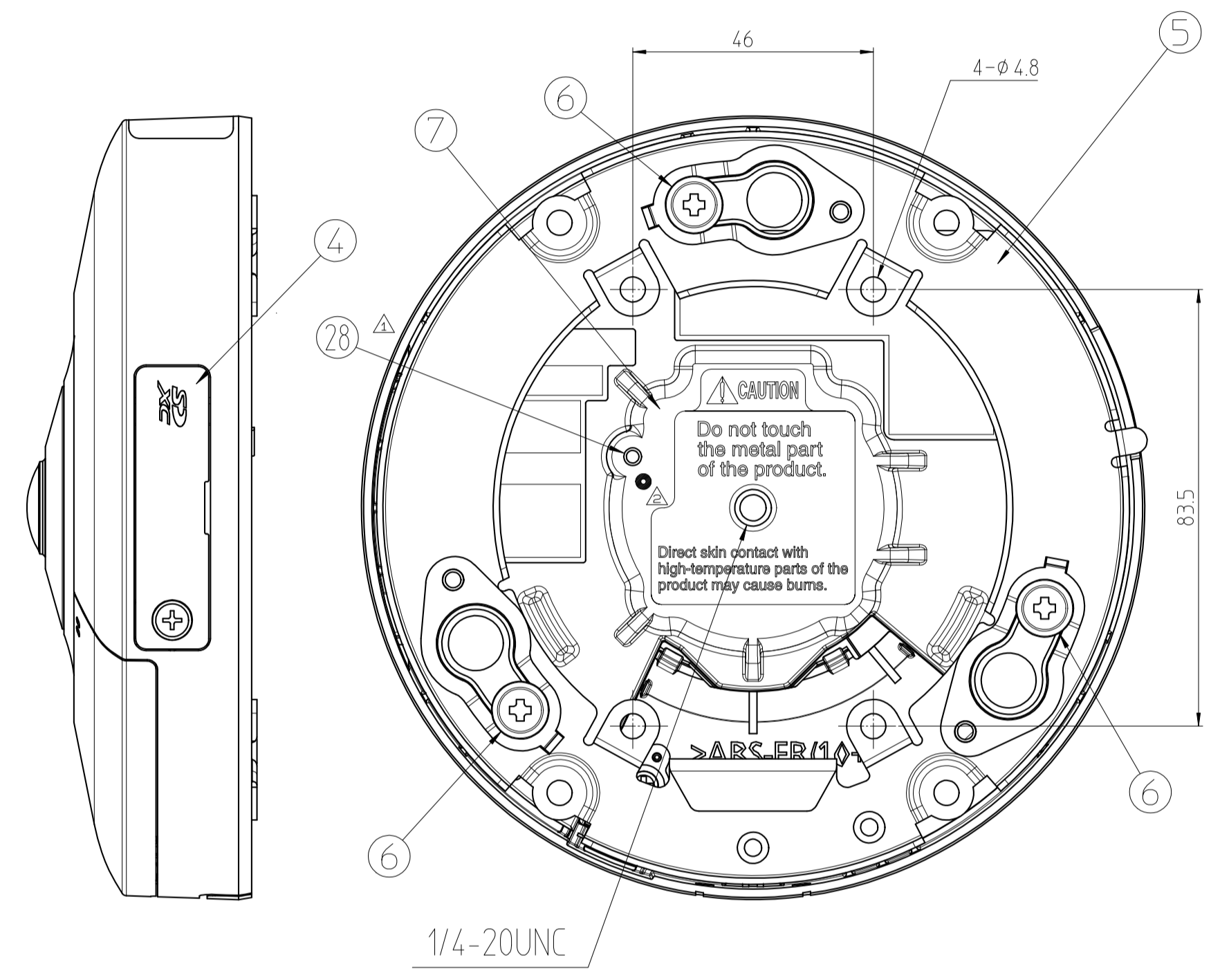
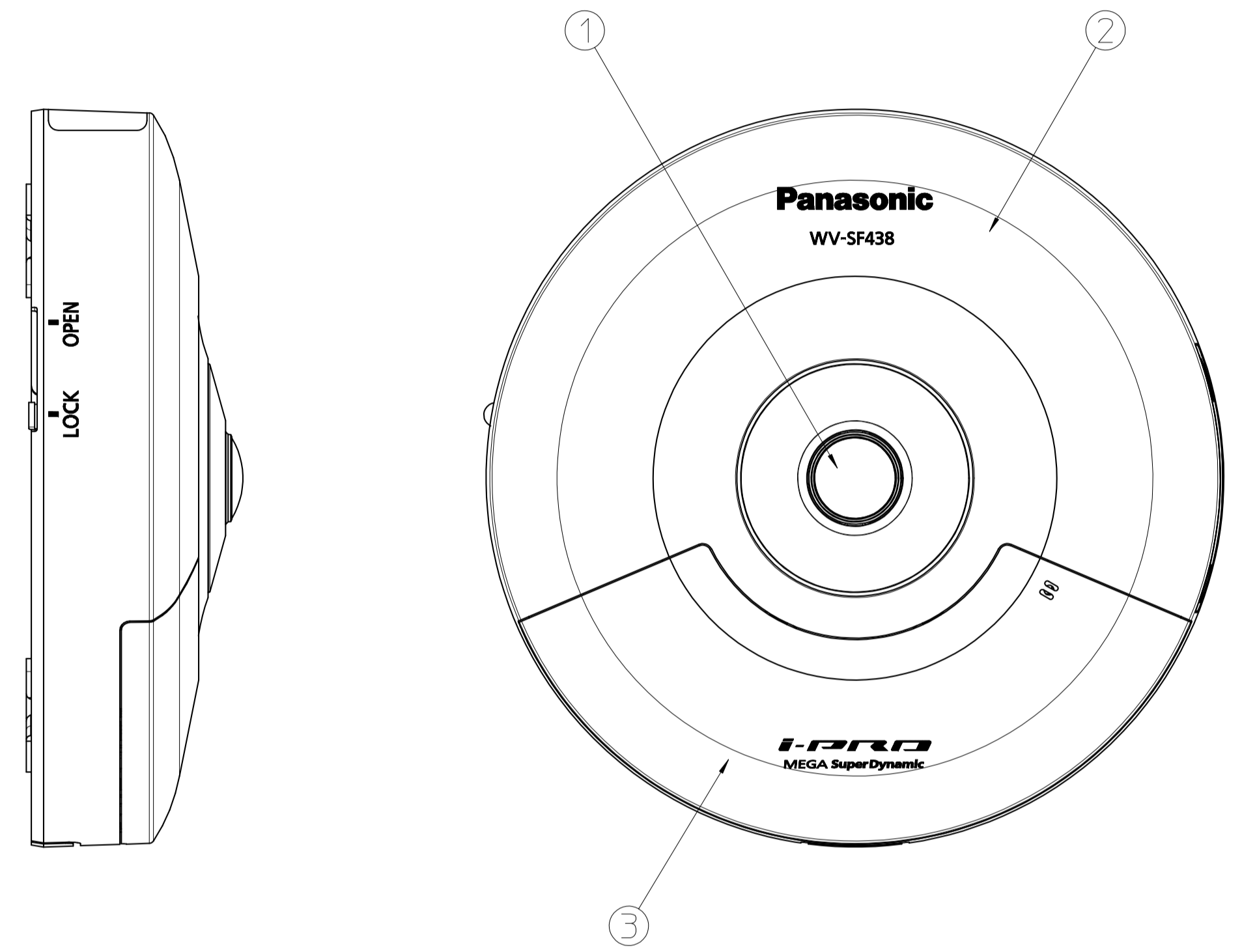
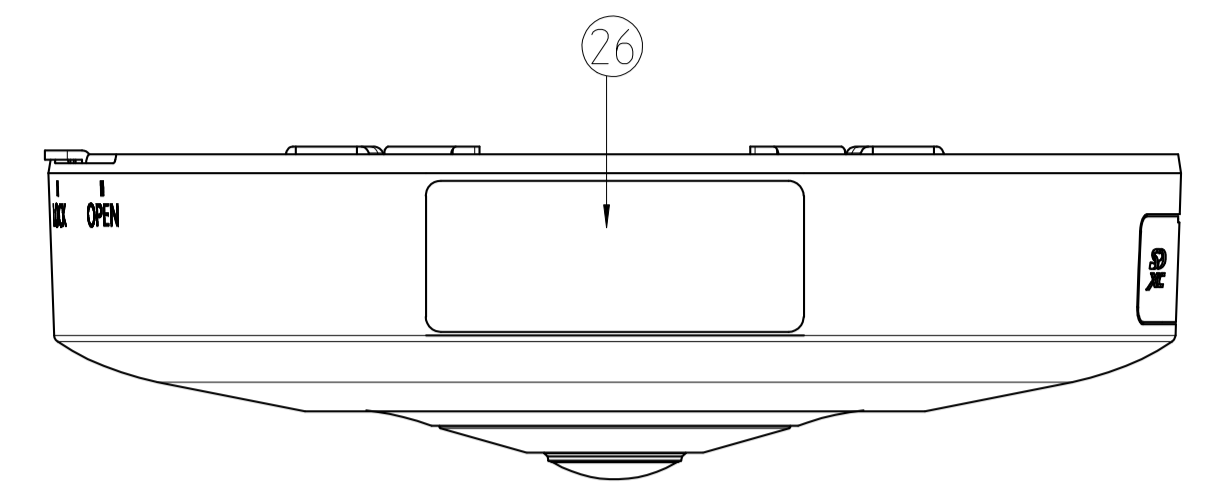


SYM	DATE	REVISION	SIGNED	CHECKED
△ x4	12.11.8	注意すべき追加 他	内田	上村
△ x1	12.11.15	注意すべき記載内容変更	内田	上村



No.	PARTS NAME	QTY	MATERIAL & SIZE	TREATMENT	REMARK
28	Screw Hole For Safety Wire Lug (M2.5)	1			
27	CAUTION Label	1	Polyester film	Printing	
26	FCC/DOC Label	1	Polyester film	Printing	
25	SD-slot Label	1	Polyester film	Printing	
24	Alarm Label B	2	Polyester film	Printing	
23	Alarm Label A	1	Polyester film	Printing	
22	Code Label	1		Printing	
21	Serial No. Label	1	Polyester film	Printing	
20	Name Label	1	Polyester film	Printing	
19	Sub cover sheet	1	PC resin film		
18	SD memory card error indicator LED	1			
17	Link indicator LED	1			
16	Access indicator LED	1			
15	INITIAL SET button	1			
14	SD memory card slot	1			
13	Audio cable connector	1			
12	External I/O terminals	1			
11	Network connector (RJ45)	1			
10	12V DC power supply terminal	1			
9	Built in microphone	1			
8	Camera Lock Screw	1	Stainless Steel		
7	Lower Case	1	Aluminium Alloy Diecasting	Painted (Black)	
6	Camera Mount screw	3	Stainless Steel		
5	Attachment plate	1	Stainless Steel		
4	SD-slot Cover	1	ABS resin		
3	Upper Case Sub Cover	1	ABS resin	Printing	
2	Upper Case	1	ABS resin	Printing	
1	Fish Eye Lens	1			

REMARK	SCALE	DESIGNED	DRAWN	CHECKED	APPROVED	MODEL	NAME
Weight: Camera Approx. 370g Attachment Approx. 90g	1 : 1	T. Uchida 12-08-03	T. Uchida 12-08-03		T. Kamimura 12-08-03	WV-SF438PYS	Appearance

File name: